

302PV

Non-return foot valve

02 System

Technical Data Sheet



Description

Valve with very wide range of applications. It prevents water hammering, it's noiseless and the quality-price ratio is optimal.

- Operates in any position from horizontal to vertical ascending
- Minimum head loss
- Compactness
- Exceptional robustness
- Closing system : long back axial guiding and reduced displacement
- Sealing guaranteed by a FKM flat seal
- Return spring



302PV

Non-return foot valve - 02 System

DN	mm	PN	PFA in bar	PS in bar				Cat.	Ref.	Weight Kg
				L1	L2	G1	G2			
2	50	10/16	16	16	16	x	x	4.3	149B2750	4,3
2 1/2	65	10/16	16	16	16	x	x	4.3	149B2751	6,4
3	80	10/16	16	16	16	x	x	4.3	149B2752	9,3
4	100	10/16	16	16	16	x	x	4.3	149B2753	13,6

*Others flange drilling PN, consult us

Important notice :

The indicated pressure for the different categories of fluids (L1/L2/G1/G2) is under no condition a guarantee of use. Therefore, it is essential to validate the use of products under given operating conditions. The operating instructions are available on our web site www.socla.com or by requesting from our sales department.

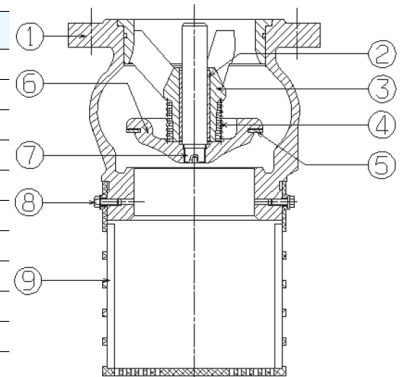
Technical features

Operating temperature	-10 °C to 80 °C
Permissible operating pressure (PFA) in water	See table above
Maximum permissible pressure (PS) other mediums	See table above
Connection	Flange drilled PN (see table)
Mediums	Clear liquids, hydrocarbons

Nomenclature and materials

N°	Description	Materials	EURO	ANSI
1	Body	Cast iron / Epoxy	EN 1561 EN-GJL-250	ASTM A 48 35 B
2	Ring	Except DN 50 DN 50	Bronze Bronze	EN 1982 CuSn5Zn5Pb2-C GS EN 1982 CuSn5Zn5Pb2-C GS
3	Guide	DN 65 to 100	Cast iron / Epoxy	EN 1561 EN-GJL-250 ASTM A 48 35 B
4	Spring		Stainless steel	EN 10270-3 X10CrNi18-8 AISI 302
5	Seal		FKM	
6	Closing system	DN 80-100 DN 50-65 : one-piece	Cast iron / Epoxy Bronze	EN 1561 EN-GJL-250 EN 1982 CuSn5Zn5Pb2-C GS ASTM A 48 35 B
7	Stem	DN 80-100	Bronze	EN 1982 CuSn5Zn5Pb2-C GS
8*	Screw		White galvanized steel	
9	Strainer		PP (polypropylen)	

*Option stainless steel screws, consult us



Approvals



International construction Standards :
Directive 2014/68/UE
Flange drilling according to EN 1092-2

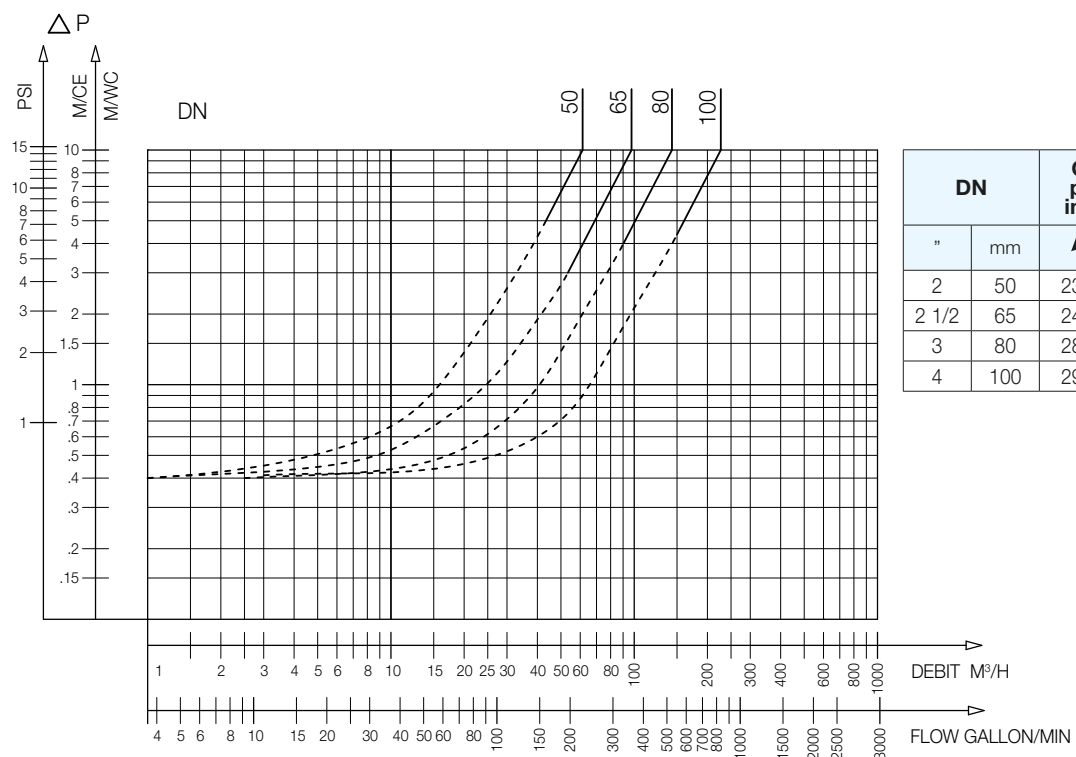
Application

Hydrocarbon pumping.

Operation

Direction for use :

- Solid line : Valve completely open
- Dotted line : opening stage of valve

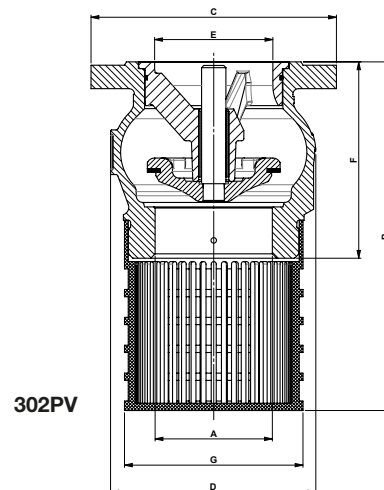


DN		Opening pressure in mm CE		Kv	ζ
"	mm	↑	Without spring	m³/H	
2	50	230	110	61,4	2,65
2 1/2	65	240	130	97,5	3
3	80	280	130	143	3,2
4	100	290	130	227	3,1

302PV - Headloss chart

Sizing

DN	A	B	C	D	E	F	G
"	mm						
2	50	52	171	165	99	54	100
2 1/2	65	66	212	185	127	68	125
3	80	82	257	200	153	82	147
4	100	105	313	220	184	106	176



302PV

The descriptions and photographs contained in this product specification sheet are supplied by way of information only and are not binding.

Socla reserves the right to carry out any technical and design improvements to its products without prior notice. Warranty : All sales and contracts for sale are expressly conditioned on the buyer's assent to Socla terms and conditions found on its website at www.socla.com. Socla hereby objects to any term, different from or additional to Socla terms, contained in any buyer communication in any form, unless agreed to in a writing signed by an officer of Socla.



A WATTS Brand

Socla sas

365 rue du Lieutenant Putier • 71530 Virey-Le-Grand • France
 Tel. +33 03 85 97 42 00 • Fax +33 03 85 97 42 42
contact@wattswater.com • www.socla.com
 ISO 9001 version 2015 / ISO 18001